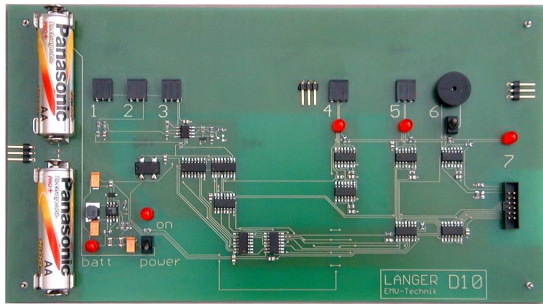


D10

Demonstration Board



Short description

The demonstration board is a PC board with different components. These generate high frequent fields which can be used to demonstrate the function of near field probes developed by Langer EMV-Technik GmbH. The interference effect of generators and field sources developed by Langer EMV-Technik GmbH can also be demonstrated.

D10 set-up

