

# P750

RF Voltage Probe 150 Ohm



## Short description

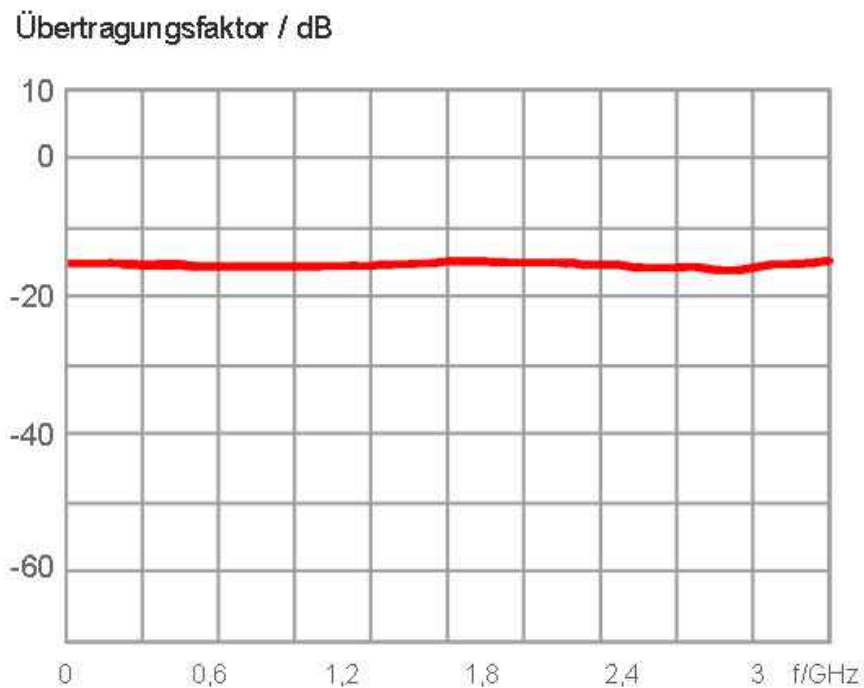
The P750 RF voltage probe corresponds to a 150 ohm coupling network according to IEC 61967-4 for the RF voltage measurement at IC pins.

The P750 probe has of a high resistance, capacitive coupled input. RF voltages can be measured at different pins of the device under test.

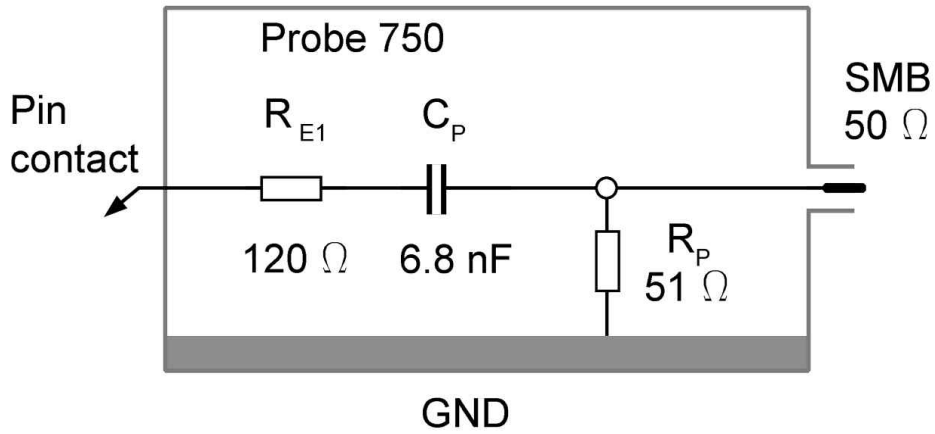
## Technical parameters

|                         |                   |
|-------------------------|-------------------|
| Frequency range         | 150 kHz ... 3 GHz |
| Input resistance        | 150 $\Omega$      |
| Measuring output        | 50 $\Omega$ , SMB |
| Transfer factor voltage | -15.2 dB          |
| Max. input voltage DC   | 50 V              |
| Max. input voltage RF   | 3.5 V             |

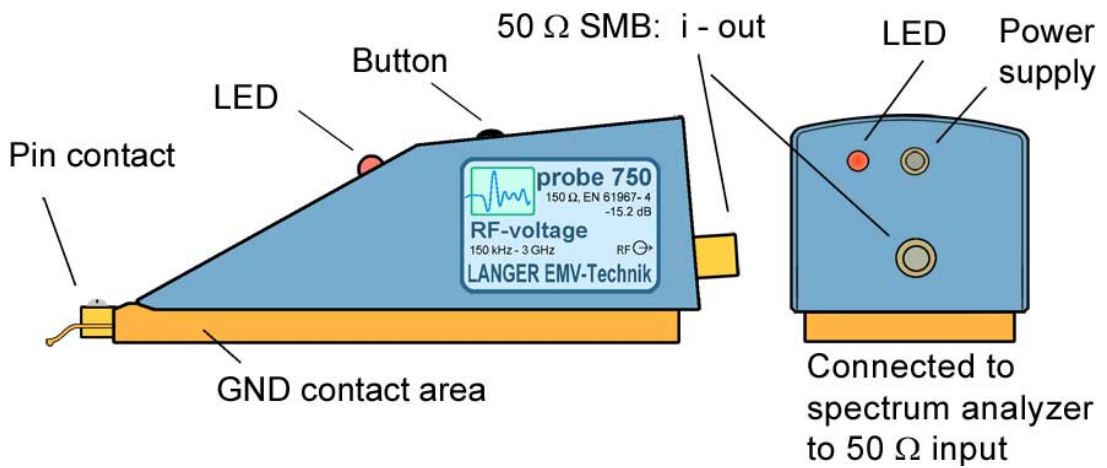
## Frequency response



Equivalent circuit



Design, view 1



# P750

RF Voltage Probe 150 Ohm

## Application with P750

