

# P603-1

RF Current Probe 1 Ohm



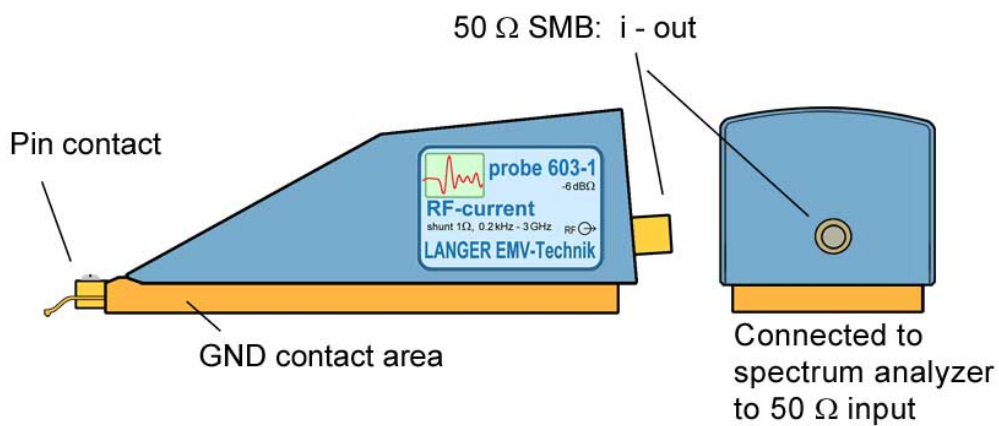
## Short description

The P603-1 probe is a 1-Ω-probe for direct measurement of high frequency (RF) current at IC pins. It is used to measure at ground pins (Vss) and signal pins. The RF current probe 1 Ohm has a pin contact with which every IC pin can be separately contacted and measured.

## Technical parameters

Frequency range	DC ... 3 GHz
Measuring output	50 Ω, SMB
Transfer factor voltage	-6 dB
Ammeter /current probe	
Shunt	1 Ω
Current correction factor R	-6 dBΩ
Inductance	1 nH
Max. power dissipation	2.5 W

## Design, view 1



Application

