

P250

EFT Coupling Network



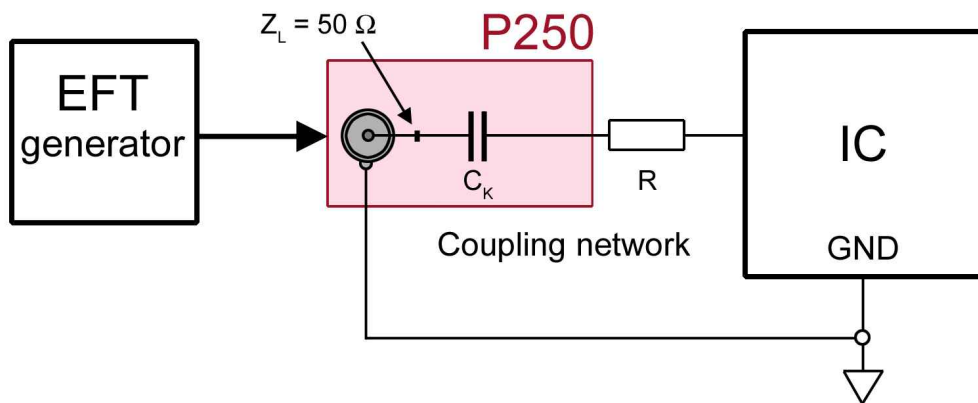
Short description

The EFT coupling network P250 is used for the coupling of burst pulses to ICs according to IEC 62215-3. The probe P250 is connected to an EFT / Burstgenerator (IEC 61000-4-4). The probe P250 has interchangeable heads, which allows for coupling capacity to be changed. This means that the IC can be tested in shorter period of time.

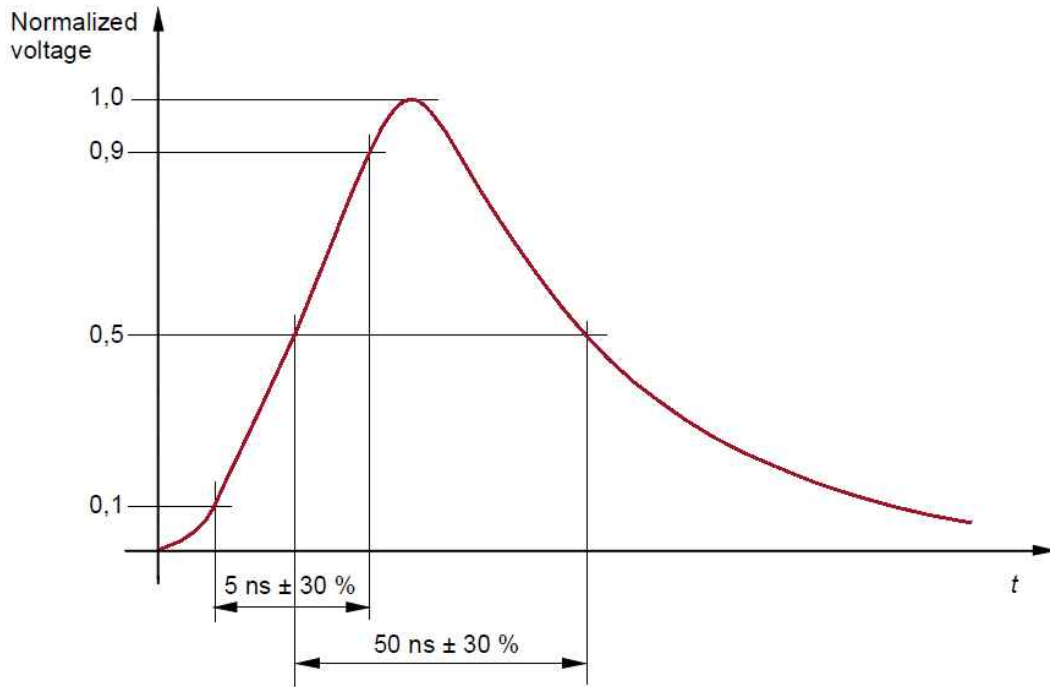
Technical parameters

Input impedance	50 Ω
Pulse parameter	
Shape	5 / 50 ns
Max. input voltage RF	± 6 kV
Connector - input	50 Ω Fischer (D103A023)

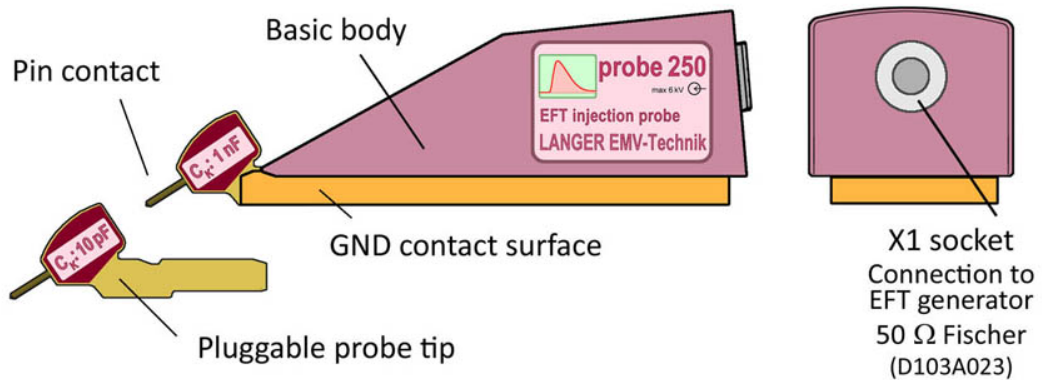
Equivalent circuit



Pulse shape (standard)



Design, view 1



Application with P250

